

# Unisenza PLUS Gateway | Technical Data Sheet

## Description

The Unisenza Plus Gateway is a perfect solution for connecting multiple ZigBee wireless devices to the cloud via an Internet router with WiFi or Ethernet cable connection. It is ZigBee 3.0 device communication which makes it possible to connect up to 100 devices from [Brand] Unisenza Plus product range such as smart room thermostats, control units for radiator valves, electric radiators, towel warmers, underfloor heating control systems, relay box/receiver and sensors.

The Unisenza range comes as standard with an extended warranty of 5 years.



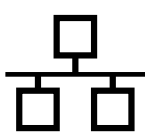
WiFi



Zigbee



Bluetooth



Ethernet

### Brand

Finimetal / Myson / Purmo / Radson

### Protocol

Zigbee 3.0

### WiFi connection

802.11 b/g/n

### Ethernet connection

10/100 Mbps

### Update

OTA firmware update feature

### Power supply

Powered by 5 VDC via micro USB port



# Unisenza PLUS Gateway | Technical Data Sheet



## Technical text

The central unit for connecting several Unisenza Plus devices to the cloud and an Internet router with a WiFi or Ethernet cable connection. Connect up to 100 end devices such as Yali Plus range, intelligent room thermostats, radiator thermostats, receivers, sensors, etc.

## Technical data

Wireless communication	WiFi: 802.11 b/g/n; ZigBee 3.0 2,4GHz; Bluetooth: v.4.2 BR/EDR and BLE (only for commissioning)
Wired communication	10/100 Mbps Ethernet
Power supply	5 VDC via micro-USB-port
Power consumption	max. 3W
Operation conditions	Indoor
Operating temperature	0°C – 40°C
Relative humidity	5% – 95%, RH non-condensing
Storage temperature	-10°C – 60°C
Protection class	IP30
Dimensions (mm)	93 (B) x 98,4 (D) x 24 (H)

## Mounting

Can be wall mounted (with wall bracket).

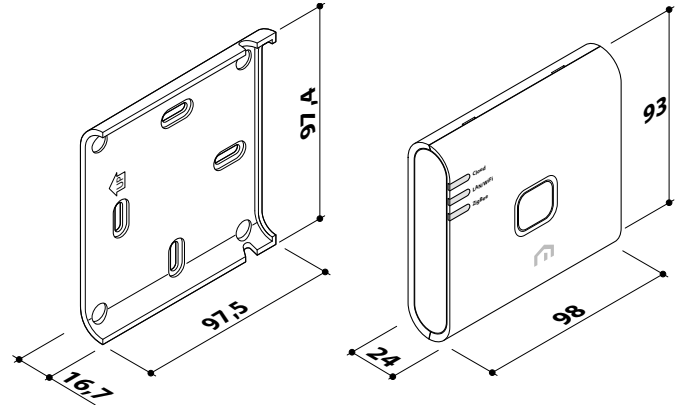
## Reference standards

- Conformity with EU directives:
- RED-directive 2014/53/EU
  - RoHS-directive 2011/65/EU
  - REACH (EG 1907/2006)

Unisenza Plus Gateway complies with the relevant legal document in United Kingdom:

- Regulations on electrical equipment (säkerhet) 2016
- Limitation of the use of certain hazardous substances in electrical and electronic equipment 2012 (SI 2012/3032)
- REACH ETC. (Amendment etc.) Regulations 2020 – SVHC

## Product Dimensions

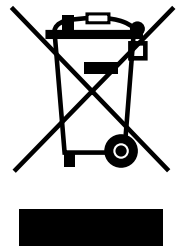


## Warranty


5 years

## Application of the WEEE directive – Directive 2012/19/EU

The symbol of the crossed-out wheeled bin indicates that all electrical and electronic products must be disposed of separately from other waste at the end of their working life in the European Union. Do not dispose of this appliance with unsorted municipal waste. Return the appliance to the appropriate collection points for electrical and electronic waste or return it to the dealer when purchasing a new equivalent appliance.



Appropriate separate collection of equipment to initiate subsequent recycling, treatment and environmentally sound disposal helps to avoid possible negative environmental and health impacts caused by the presence of hazardous substances in EEE and by incorrect disposal or improper use of the same equipment or parts thereof. Separate collection also favours the recycling of the materials that make up the appliance. Current legislation provides for sanctions in case of illegal disposal of the product.

UNISENZA PLUS GATEWAY		
Visual	Description	Product code
	<p><b>Unisenza Plus Gateway</b></p> <p>The central unit for connecting several Unisenza Plus devices to the cloud and an Internet router with a WiFi or Ethernet cable connection. Connect up to 100 end devices such as Yali D+/P+/R+, intelligent room thermostats, radiator thermostats, receivers, sensors, etc.</p>	<p><b>FDZ5GTUBA10000..</b></p>

