



PLAN, PLAN PLUS & VERTICAL



The PLAN range offers a contemporary alternative to the traditional panel radiator. Achieving a radiator range that has a minimalist feel, combining good looks with leading performance.

The sleek flat front panel design of the PLAN offers a contemporary alternative to the traditional panel radiator. Whilst maintaining all of the benefits, the PLAN PLUS model takes this modern styling one step further with a decorative, rather than flat, front panel. Both models feature side panels and top grille.

The PLAN Vertical and PLAN PLUS Vertical both feature the same front panel design as the PLAN & PLAN PLUS, however, have the addition of curved rather than straight side panels.

- Available in 5 heights and 14 lengths, ranging from 400mm to 3000mm, the PLAN range comes in over 136 stocked sizes, while the PLUS range is offered in 94 stocked sizes
- Both models feature Type 11, Type 21 and Type 22 profiles, with the PLAN additionally available as a Type 33 profile (vertical models are only available in Type 21 & 22)



PLAN & PLAN PLUS

General specification & technical information



CERTIFICATION

Manufactured and tested to EN 442. Carries the CE Mark. Produced under a quality management system - ISO 9001:2015, environmental management system - ISO 14001:2015 and Occupational health and safety management system - OHSAS 18001.



GUARANTEE

10 year guarantee from date of purchase against manufacturing defects.



COLOUR

All radiators are de-greased, phosphated and primer coated. An epoxy polyester finishing coat in white (RAL 9016) is applied to all front and rear surfaces.



ACCESSORIES

Touch up paint available on request.



SYSTEM

2 pipe pumped indirect domestic and commercial heating applications.



CONNECTIONS

4 x 1/2" BSP. Please see below.



AIR VENTS

Air vent and plug packs are included in the packaging.



OPERATING PRESSURES

Tested to a pressure of 13 bar. Working pressure of up to 10 bar.



OPERATING TEMPERATURE

Maximum 100°C.



DELIVERY

2 - 5 working days.



VALVES

Please see page 219.



BIM

Visit our website to download the BIM components www.myson.co.uk/bim

For more general information, please see page 260.

Weights & water contents per metre length

Type	Nominal Height (mm)							
	300		400		500		600	
	Weight (kg)	Water Content (l)	Weight (kg)	Water Content (l)	Weight (kg)	Water Content (l)	Weight (kg)	Water Content (l)
11	11.70	1.50	16.10	2.20	20.50	2.90	24.80	3.40
21	-	-	-	-	23.70*	5.20*	33.70	6.10
22	19.10	3.20	25.10	4.20	31.50	5.20	38.00	6.10
33*	26.90	5.10	36.70	6.30	42.20	7.50	56.40	8.80

*PLAN only.

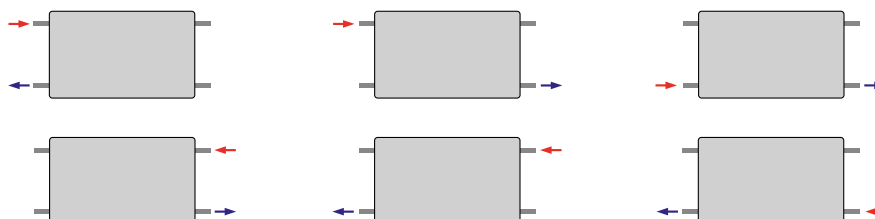
n-Coefficients

Type	Nominal Height (mm)			
	300	400	500	600
11	1.2820	1.2824	1.2827	1.2831
21	-	-	1.2907*	1.2967
22	1.3000	1.3098	1.3197	1.3295
33*	1.3159	1.3245	1.3331	1.3417

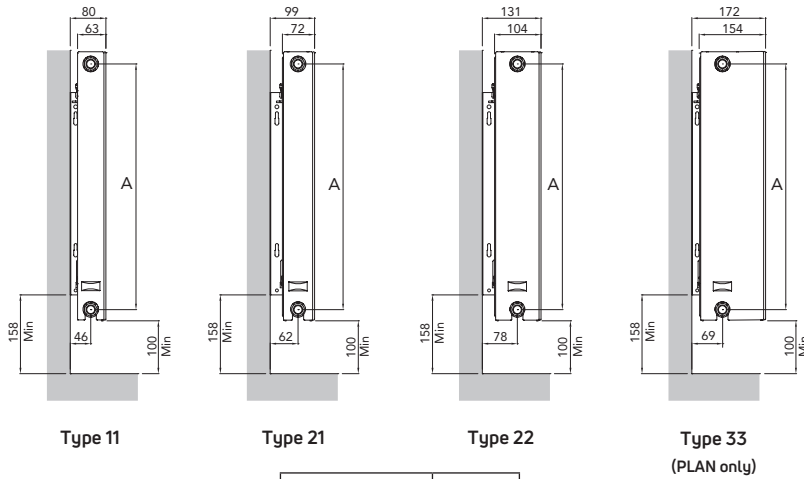
*PLAN only.

Connection options

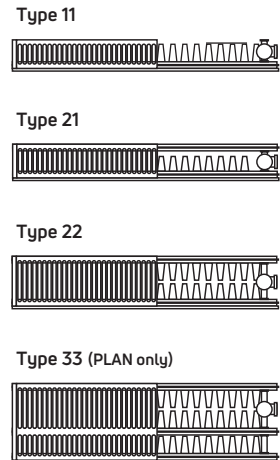
4 x 1/2" BSP



Mounting positions & dimensions

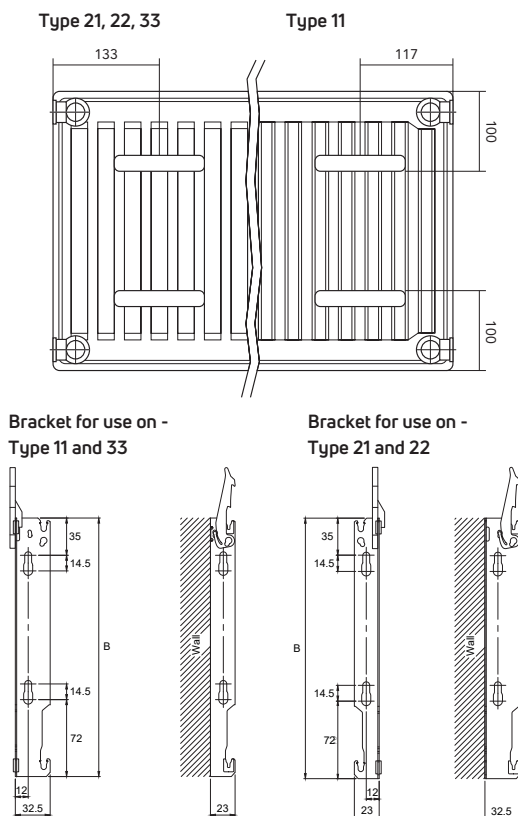


Top View



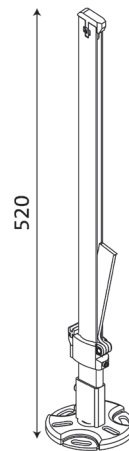
Nominal Height (mm)	A (mm)
300	250
400	350
500	450
600	550

Bracket positions & dimensions



Nominal Height (mm)	B (mm)
300	151
400	241
500	341
600	441

Floor brackets



Floor brackets for all types:

Radiator to wall distance: Any
 Maximum load of a single bracket:
 Vertically - 180kg
 Pulling - 35kg

Order Code: RH033 (single piece)

Height 300 - 600mm	
Radiator length (mm)	Quantity of floor brackets
400 - 1800	2
2000 - 2400	3

NB: All measurements are nominal.

PLAN PLUS

Heat outputs

		Type 11				Order Code
Nominal Height	Nominal Length (mm)	Heat Outputs @ ΔT 50°C		Heat Outputs @ ΔT 30°C		
		Watts	Btu/h	Watts	Btu/h	
300mm	600	317	1082	165	563	30 PPS 60G
	1000	529	1805	275	938	30 PPS 100G
	1400	741	2528	385	1314	30 PPS 140G
	2000	1058	3610	550	1877	30 PPS 200G
400mm	400	272	928	141	481	40 PPS 40G
	600	408	1392	212	723	40 PPS 60G
	800	544	1856	283	966	40 PPS 80G
	1000	680	2320	353	1204	40 PPS 100G
	1200	816	2784	424	1447	40 PPS 120G
	1400	952	3248	494	1686	40 PPS 140G
	1600	1088	3712	565	1928	40 PPS 160G
	1800	1224	4176	636	2170	40 PPS 180G
2000	1360	4640	706	2409	40 PPS 200G	
500mm	400	329	1123	171	583	50 PPS 40G
	600	494	1686	256	873	50 PPS 60G
	800	658	2245	342	1167	50 PPS 80G
	1000	823	2808	427	1457	50 PPS 100G
	1200	988	3371	513	1750	50 PPS 120G
	1400	1152	3931	598	2040	50 PPS 140G
	1600	1317	4494	684	2334	50 PPS 160G
	1800	1481	5053	769	2624	50 PPS 180G
2000	1646	5616	855	2917	50 PPS 200G	
600mm	400	384	1310	200	682	60 PPS 40G
	600	577	1969	299	1020	60 PPS 60G
	800	769	2624	399	1361	60 PPS 80G
	1000	961	3279	499	1703	60 PPS 100G
	1200	1153	3934	599	2044	60 PPS 120G
	1400	1345	4589	699	2385	60 PPS 140G
	1600	1538	5248	798	2723	60 PPS 160G
	1800	1730	5903	898	3064	60 PPS 180G
	2000	1922	6558	998	3405	60 PPS 200G
	2300	2210	7541	1148	3917	60 PPS 230G
	2600	2499	8527	1297	4425	60 PPS 260G
	3000	2883	9837	1497	5108	60 PPS 300G






		Type 21				Order Code
Nominal Height	Nominal Length (mm)	Heat Outputs @ ΔT 50°C		Heat Outputs @ ΔT 30°C		
		Watts	Btu/h	Watts	Btu/h	
300mm	600					
	1000					
	1400					
	2000					
400mm	400					
	600					
	800					
	1000					
	1200					
	1400					
	1600					
	1800					
2000						
500mm	400					
	600					
	800					
	1000					
	1200					
	1400					
	1600					
	1800					
2000						
600mm	400	515	1757	266	908	60 PPX 40G
	600	773	2637	398	1358	60 PPX 60G
	800	1030	3514	531	1812	60 PPX 80G
	1000	1288	4395	664	2266	60 PPX 100G
	1200	1546	5275	797	2719	60 PPX 120G
	1400	1803	6152	930	3173	60 PPX 140G
	1600	2061	7032	1063	3627	60 PPX 160G
	1800	2318	7909	1195	4077	60 PPX 180G
	2000	2576	8789	1328	4531	60 PPX 200G
	2300					
	2600					
	3000					







		Type 22				Order Code
Nominal Height	Nominal Length (mm)	Heat Outputs @ ΔT 50°C		Heat Outputs @ ΔT 30°C		
		Watts	Btu/h	Watts	Btu/h	
300mm	600	562	1918	289	986	30 PPD 60G
	1000	937	3197	483	1648	30 PPD 100G
	1400	1312	4477	675	2303	30 PPD 140G
	2000	1874	6394	965	3293	30 PPD 200G
400mm	400	479	1634	245	836	40 PPD 40G
	600	719	2453	368	1256	40 PPD 60G
	800	958	3269	491	1675	40 PPD 80G
	1000	1198	4088	614	2095	40 PPD 100G
	1200	1438	4906	736	2511	40 PPD 120G
	1400	1677	5722	859	2931	40 PPD 140G
	1600	1917	6541	982	3351	40 PPD 160G
	1800	2156	7356	1104	3767	40 PPD 180G
2000	2396	8175	1227	4187	40 PPD 200G	
500mm	400	578	1972	294	1003	50 PPD 40G
	600	866	2955	442	1508	50 PPD 60G
	800	1155	3941	589	2010	50 PPD 80G
	1000	1444	4927	736	2511	50 PPD 100G
	1200	1733	5913	883	3013	50 PPD 120G
	1400	2022	6899	1030	3514	50 PPD 140G
	1600	2310	7882	1177	4016	50 PPD 160G
	1800	2599	8868	1325	4521	50 PPD 180G
2000	2888	9854	1472	5022	50 PPD 200G	
600mm	400	670	2286	340	1160	60 PPD 40G
	600	1006	3432	510	1740	60 PPD 60G
	800	1341	4575	680	2320	60 PPD 80G
	1000	1676	5719	850	2900	60 PPD 100G
	1200	2011	6862	1020	3480	60 PPD 120G
	1400	2346	8005	1190	4060	60 PPD 140G
	1600	2682	9151	1360	4640	60 PPD 160G
	1800	3017	10294	1530	5220	60 PPD 180G
	2000	3352	11437	1700	5800	60 PPD 200G
	2300	3855	13153	1955	6670	60 PPD 230G
	2600	4358	14869	2210	7541	60 PPD 260G
	3000	5028	17156	2549	8697	60 PPD 300G

PREMIUM PANEL RADIATORS

PLAN VERTICAL & PLAN PLUS VERTICAL

General specification & technical information

-  **CERTIFICATION**
Manufactured and tested to EN 442. Carries the CE Mark.
Produced under a quality management system - ISO 9001:2015, environmental management system - ISO 14001:2015 and Occupational health and safety management system - ISO 45001:2018.
-  **GUARANTEE**
10 year guarantee from date of purchase against manufacturing defects.
-  **COLOUR**
All radiators are de-greased, phosphated and primer coated. An epoxy polyester finishing coat in white (RAL 9016) is applied to all front and rear surfaces.
-  **ACCESSORIES**
Touch up paint available on request.
-  **SYSTEM**
2 pipe pumped indirect domestic and commercial heating applications.

-  **CONNECTIONS**
6 x 1/2" BSP. Please see below.
-  **AIR VENTS**
Air vent and plug packs are included in the packaging.
-  **OPERATING PRESSURES**
Tested to a pressure of 8 bar.
Working pressure of up to 6 bar.
-  **OPERATING TEMPERATURE**
Maximum 100°C.
-  **DELIVERY**
2 - 5 working days.
-  **VALVES**
Please see page 60.

For more general information, please see page 260.

Weights & water contents per metre length

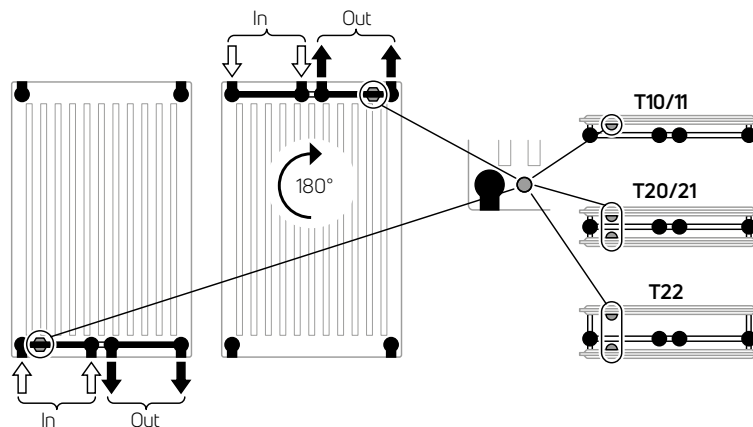
Type	Nominal Height (mm)			
	1800		1950	
	Weight (kg)	Water Content (l)	Weight (kg)	Water Content (l)
21	100.27	21.47	109.33	24.13
22	111.60	21.73	123.73	23.47

n-Coefficients

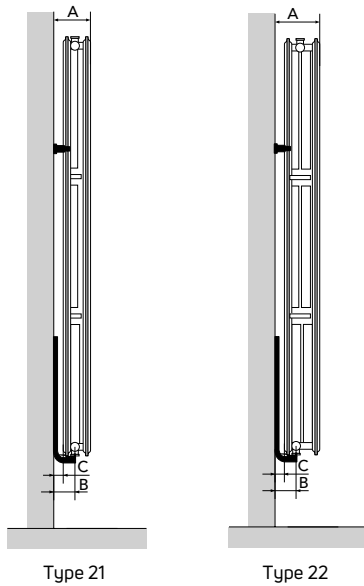
Type	Nominal Height (mm)	
	1800	1950
21	1.3192	1.3231
22	1.3387	1.4255

Connection options

6 x 1/2" BSP (15/21)



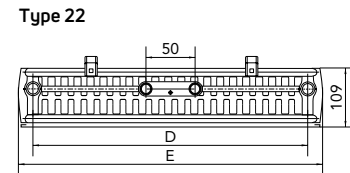
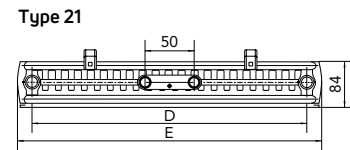
Mounting positions & dimensions



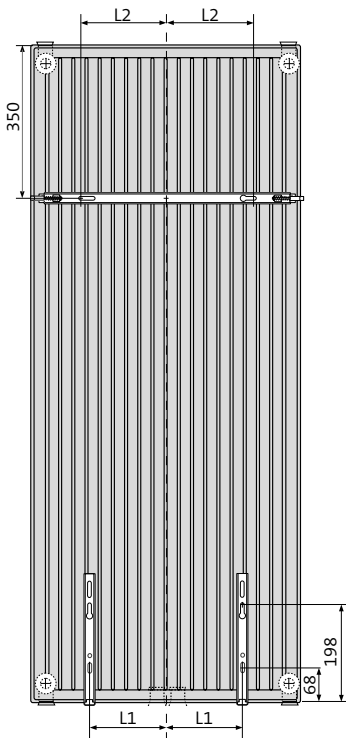
	Type	
	21	22
A (mm)	109	134
B (mm)	65	65
C (mm)	25	25

Length (mm)	D	E
	(mm)	(mm)
300	244	320
450	394	470
600	544	620
750	694	770

Top View

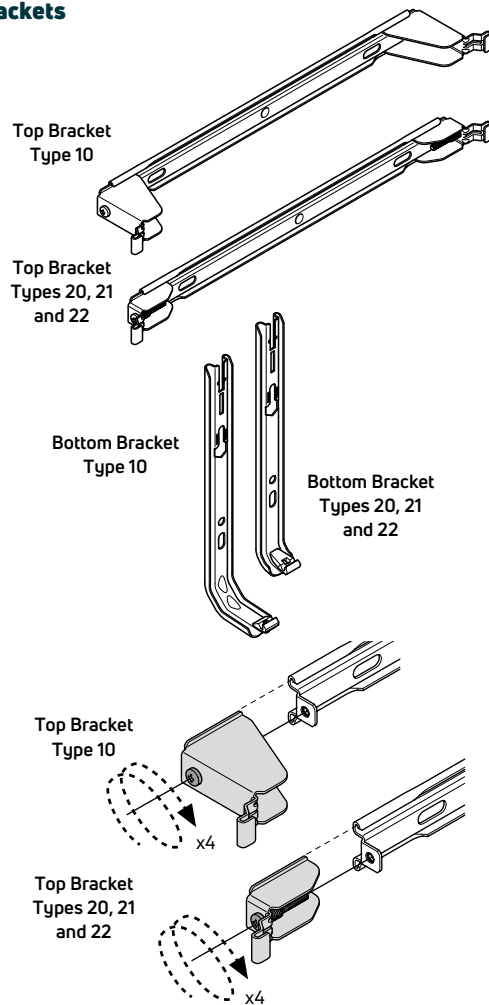


Bracket positions & dimensions



Length (mm)	L ₁ (mm)	L ₂ (mm)
300	60	75
450	135	125
600	210	200
750	285	250

Brackets



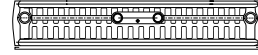
NB: All measurements are nominal.

PLAN VERTICAL & PLAN PLUS VERTICAL

Heat outputs

Type 21

Type 22



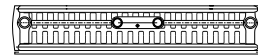
PLAN VERTICAL

Nominal Height	Nominal Length (mm)	Heat Outputs @ ΔT 50°C		Heat Outputs @ ΔT 30°C		Order Code
		Watts	Btu/h	Watts	Btu/h	
1800mm	300	886	3023	452	1542	180 PX 30G
	450	1329	4535	678	2313	180 PX 45G
	600	1772	6046	903	3081	180 PX 60G
	750	2215	7558	1129	3852	180 PX 75G
1950mm	300	936	3194	476	1624	195 PX 30G
	450	1405	4794	714	2436	195 PX 45G
	600	1873	6391	953	3252	195 PX 60G
	750	2341	7987	1191	4064	195 PX 75G

Heat Outputs @ ΔT 50°C		Heat Outputs @ ΔT 30°C		Order Code
Watts	Btu/h	Watts	Btu/h	
1046	3569	528	1802	180 PD 30G
1569	5353	792	2702	180 PD 45G
2092	7138	1056	3603	180 PD 60G
2615	8922	1320	4504	180 PD 75G
1103	3763	532	1815	195 PD 30G
1654	5643	798	2723	195 PD 45G
2205	7523	1065	3634	195 PD 60G
2756	9403	1331	4541	195 PD 75G

Type 21

Type 22



PLAN PLUS VERTICAL

Nominal Height	Nominal Length (mm)	Heat Outputs @ ΔT 50°C		Heat Outputs @ ΔT 30°C		Order Code
		Watts	Btu/h	Watts	Btu/h	
1800mm	300	886	3023	452	1542	180 PPX 30G
	450	1329	4535	678	2313	180 PPX 45G
	600	1772	6046	903	3081	180 PPX 60G
	750	2215	7558	1129	3852	180 PPX 75G
1950mm	300	936	3194	476	1624	195 PPX 30G
	450	1405	4794	714	2436	195 PPX 45G
	600	1873	6391	953	3252	195 PPX 60G
	750	2341	7987	1191	4064	195 PPX 75G

Heat Outputs @ ΔT 50°C		Heat Outputs @ ΔT 30°C		Order Code
Watts	Btu/h	Watts	Btu/h	
1046	3569	528	1802	180 PPD 30G
1569	5353	792	2702	180 PPD 45G
2092	7138	1056	3603	180 PPD 60G
2615	8922	1320	4504	180 PPD 75G
1103	3763	532	1815	195 PPD 30G
1654	5643	798	2723	195 PPD 45G
2205	7523	1065	3634	195 PPD 60G
2756	9403	1331	4541	195 PPD 75G

Accessories



Product	Finish	Order Code
VALVE SETS (Includes a nut & olive pack)		
Two-pipe Valve Set (Straight)*	White	VSWHST
Two-pipe Valve Set (Straight)*	Chrome	VSCHST
Two-pipe Valve Set (Angle)*	White	VSWHAN
Two-pipe Valve Set (Angle)*	Chrome	VSCHAN
TOWEL BARS		
300mm	Matt Brushed Stainless Steel	PLANBAR300
450mm	Matt Brushed Stainless Steel	PLANBAR450
600mm	Matt Brushed Stainless Steel	PLANBAR600
750mm	Matt Brushed Stainless Steel	PLANBAR750



*Not to be used for top connection.