



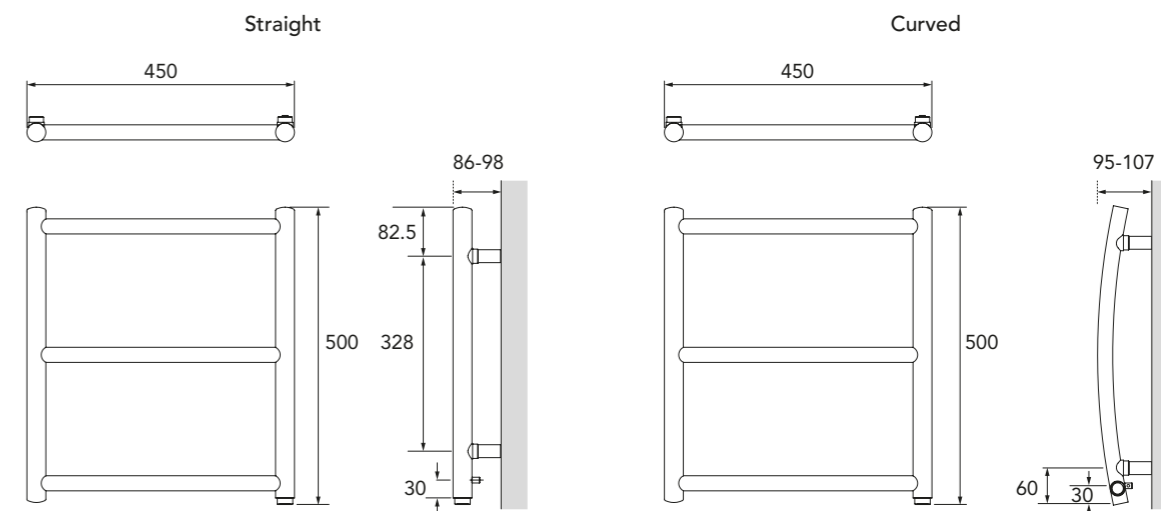
INNOKO

Simple and attractive, INNOKO has been designed with a small bathroom, kitchen or cloakroom in mind. This electric towel warmer is available in straight or curved models with left and right hand options. INNOKO is easy to install, virtually maintenance free and can be used alongside KICKSPACE® to provide the perfect drying and heating solution for any kitchen, see page 150. Fitted with APM® technology, the INNOKO is manufactured from brass with a high quality chrome plated finish.



INNOKO CURVED
(RIGHT HAND CONNECTION)

DIMENSIONS



NB: All measurements are nominal.

GENERAL SPECIFICATION

- CERTIFICATION**
Produced under a quality management system - ISO 9001:2015, environmental management system - ISO 14001:2015 and Occupational health and safety management system - OHSAS 18001. Carries the BS Kitemark and CE mark and conforms to the Low Voltage Directive 2014/35/EU and the EMC Directive 2014/30/EU.
- ACCESSORIES**
Please see page 144.
- SEALED ELECTRIC**
- IP RATING**
IP64
- DELIVERY**
Non-stocked item: 8 - 12 weeks.
- APM® TECHNOLOGY**
Fitted with the latest APM® element technology. Please see page 277.
- WASTE DISPOSAL**
According to The WEEE Directive (2012/19/EU). Please see page 277.
- GUARANTEE**
2 year guarantee from date of purchase against manufacturing defects.
- COLOUR**
Finished in chrome.
- MATERIAL**
Manufactured from steel. Filled with a glycol mix, part water/ part anti-freeze.
- ECO DESIGN DIRECTIVE**
Out of Scope. Towel warmers exempt from Directive.



INNOKO STRAIGHT
(RIGHT HAND CONNECTION)

For more general information, please see page 276.

INNOKO STRAIGHT

Order Code	Connection Position	Nominal Height (mm)	Nominal Length (mm)	Weight (kg)	Rated Watts
PETSCL	LEFT	500	450	5.0	40
PETSCR	RIGHT	500	450	5.0	40

INNOKO CURVED

PETCCL	LEFT	500	450	5.0	40
PETCCR	RIGHT	500	450	5.0	40